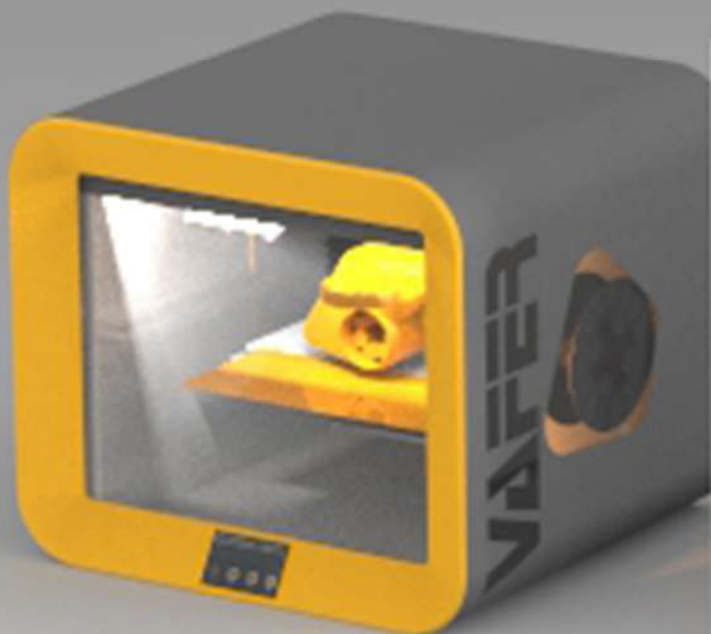


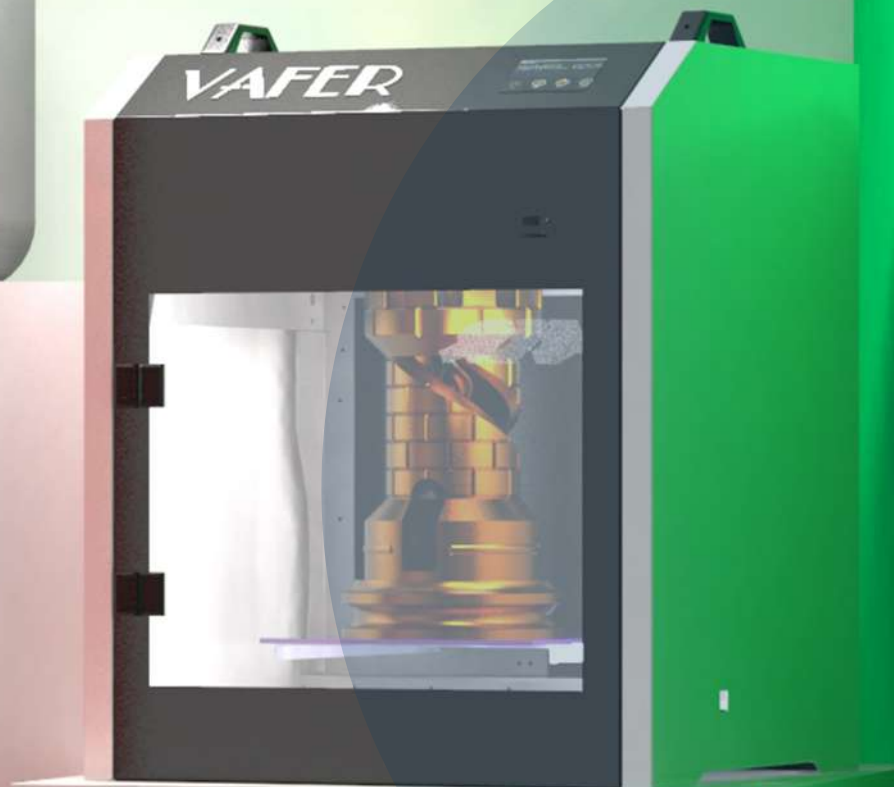
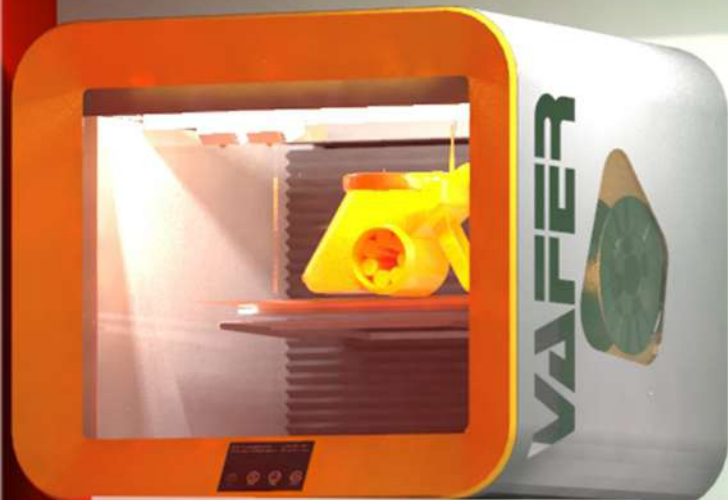
# VAFER

## Industrial 3D Printer



## Printer and printing properties

Technology	Fused filament fabrication (FFF)
Print head	Double Extrusion head with swappable nozzles
Build volume (XYZ)	300x 300x 300mm
Layer resolution	0.25 mm nozzle: 150 - 60 micron 0.4 mm nozzle: 200 - 60 micron 0.6 mm nozzle: 300 - 60 micron 0.8 mm nozzle: 600 - 60 micron
XY positioning accuracy	50microns
Z positioning accuracy	25microns
Nozzle temperature	175-300°C
Heated Bed temperature	60-140°C
Print speed	60-80 mm/s
Build plate	Heated cast Aluminium bed
Nozzle diameter	0.4 mm (included)
Operating sound	< 50 dBA
Filament diameter	1.75mm
Supported Materials	ABS, PLA, ASA, petG, TPU (ninjaflex), TPE, HIPS, PVA, Polycarbonate, (20+more materials and composites.)
Connectivity	SD-card, Pen-Drive (uDisk), USB port
Supported OS	MacOS, Windows, and Linux
	Warranty period 12 months



Key Features:

Realtime filament dryer\*

Auto-Bed Leveling

Filament over/break sensor

Multiple connectivity options

5" Touch Screen

Hybrid Linear Rail mechanism

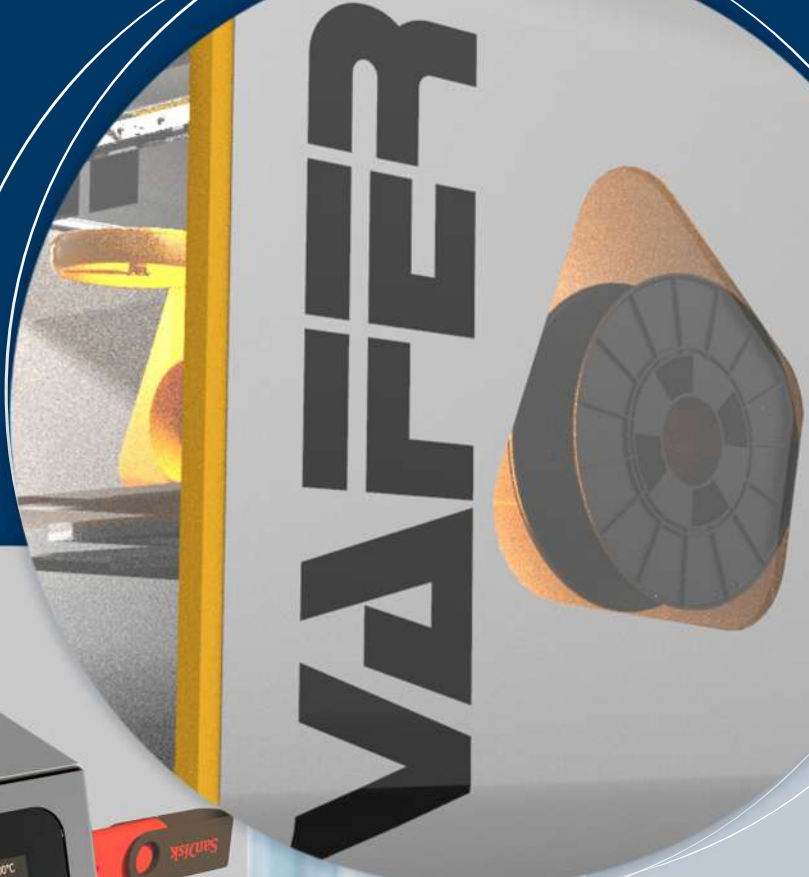
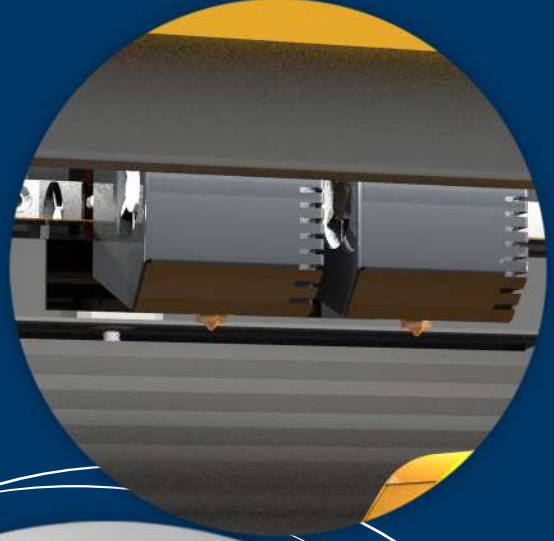
3 minutes preheating time

24/7 running capability

Power-off recovery

Concealed Z-axis

Ergonomic design



\*Realtime filament drying chamber protects raw material from moisture, this system not only increases life of 3D printing filament but also increases range of supported 3D Printing Filaments. With a touchscreen, pendrive, sd card and USB support, Ether is your perfect desktop manufacturing machine.

Contact for queries  
<https://paradise-3d.com>  
[hello@paradise-3d.com](mailto:hello@paradise-3d.com)  
+91 8861925181  
+91 8800161994

